

TWO-DOOR WITH FLOOR STANDS AND 3-POINT LATCH, TYPE 4

INDUSTRY STANDARDS

 UL 508A Listed; Type 4, 12; File No. E61997
 cUL Listed per CSA C22.2 No. 94; Type 4, 12; File No. E61997

 NEMA/EEMAC, Type 3, 4, 12, 13
 IEC 60529, IP66

APPLICATION

These enclosures are ideal for indoor or outdoor applications where it is necessary to protect controls and instrumentation from wet, non-corrosive environments. The design features Hoffman's exclusive POWERGLIDE Handle with 3-point latching for secure closure and floor stands that provide additional height and access for cleaning under the enclosure.

FEATURES

- Three-point latch for security and ease of use
- Return flange around the door opening excludes liquids and contaminants
- Removable centerpost permits easy panel installation

SPECIFICATIONS

- 12 gauge steel
- 3-point latch system with POWERGLIDE padlocking handles
- Seams continuously welded and ground smooth; no holes or knockouts
- Body stiffeners
- Panel supports
- Heavy gauge continuous hinge with stainless steel hinge pin
- Data pocket is high-impact thermoplastic
- 12-in. floor stands are welded to enclosure
- Heavy-duty lifting eyes
- Oil-resistant door gasket
- Collar stud for mounting optional panels
- Grounding stud on body
- Bonding provision on door
- Provision for mounting fluorescent light

FINISH

ANSI 61 gray polyester paint inside and out over pretreated surfaces. Optional panels have white or conductive finish.

ACCESSORIES

Panels
 PANELITE Enclosure Lights
 SPECTRACOOOL Indoor/Outdoor
 Enclosure Stabilizers
 Steel, Stainless Steel and Non-Metallic Window Kits
 Electric Heaters
 HOL-SEALERS Hole Seats
 INTERSAFE Data Interface Ports, Type 4/4X/12

MODIFICATION AND CUSTOMIZATION

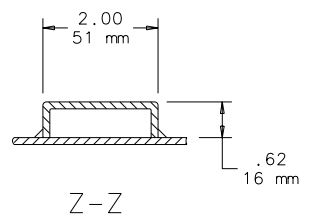
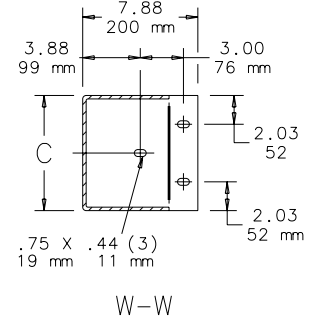
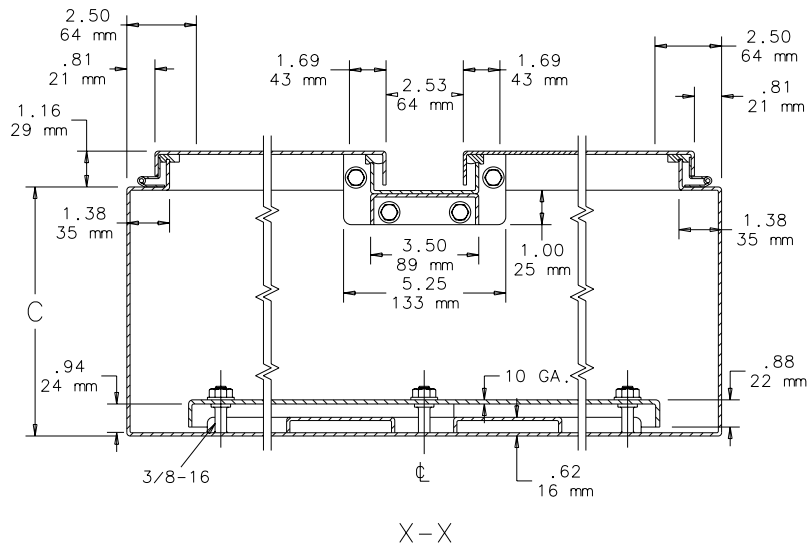
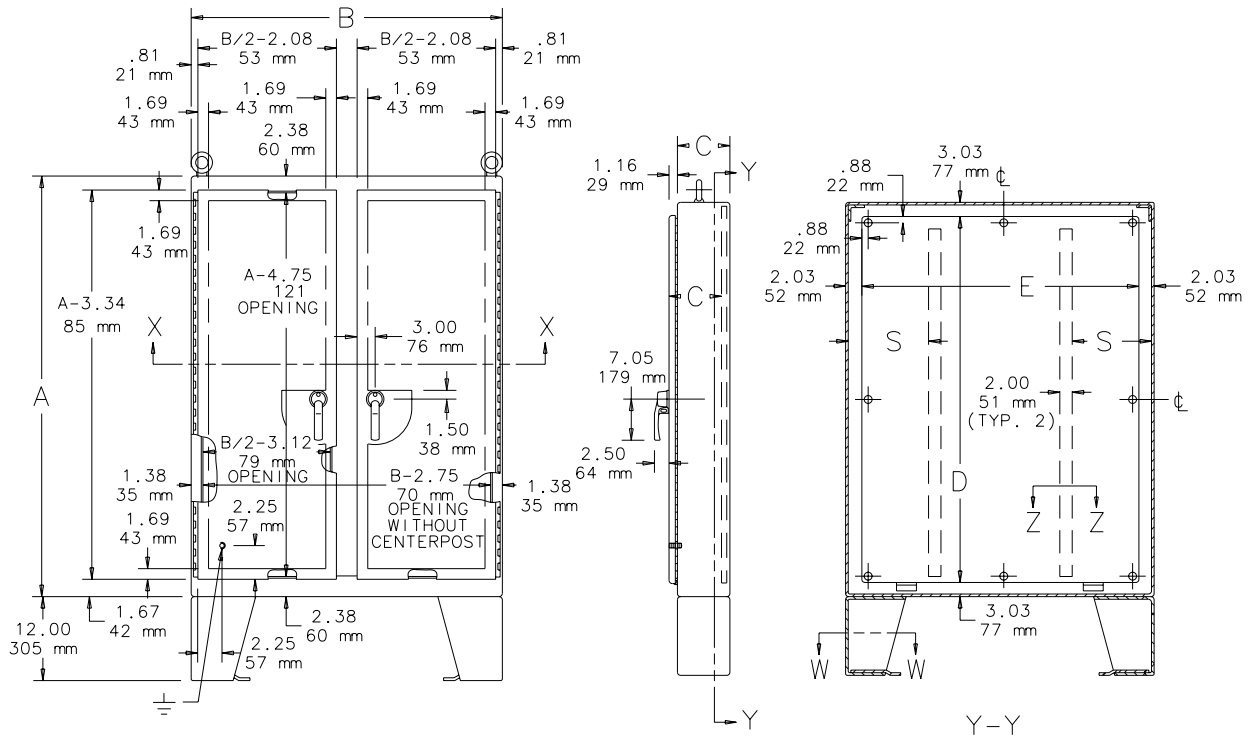
Hoffman excels at modifying and customizing products to your specifications. Contact your local Hoffman sales office or distributor for complete information.

BULLETIN: A4L3

Standard Product

Catalog Number	AxBxC in./mm	Panel	Conductive Panel	Body Stiffener S in./mm	Panel Size D x E in./mm
A62H4810LP3PT	62.06 x 48.06 x 10.06 1576 x 1221 x 256	A60P48	A60P48G	15.00 381	56.00 x 44.00 1422 x 1118
A62H4818LP3PT	62.06 x 48.06 x 18.06 1576 x 1221 x 459	A60P48	A60P48G	15.00 381	56.00 x 44.00 1422 x 1118
A62H6012LP3PT	62.06 x 60.06 x 12.06 1576 x 1526 x 306	A60P60	A60P60G	21.00 533	56.00 x 56.00 1422 x 1422
A62H6018LP3PT	62.06 x 60.06 x 18.06 1576 x 1526 x 459	A60P60	A60P60G	21.00 533	56.00 x 56.00 1422 x 1422
A74H6012LP3PT	74.06 x 60.06 x 12.06 1881 x 1526 x 306	A72P60	A72P60G	21.00 533	68.00 x 56.00 1727 x 1422
A74H6018LP3PT	74.06 x 60.06 x 18.06 1881 x 1526 x 459	A72P60	A72P60G	21.00 533	68.00 x 56.00 1727 x 1422
A74H7212LP3PT	74.06 x 72.06 x 12.06 1881 x 1830 x 306	A72P72	A72P72G	24.00 610	68.00 x 68.00 1727 x 1727
A74H7218LP3PT	74.06 x 72.06 x 18.06 1881 x 1830 x 459	A72P72	A72P72G	24.00 610	68.00 x 68.00 1727 x 1727
A74H7224LP3PT	74.06 x 72.06 x 24.06 1881 x 1830 x 611	A72P72	A72P72G	24.00 610	68.00 x 68.00 1727 x 1727

Order panel separately.



87794322