

REMOVABLE HINGE WITH QUICK-RELEASE LATCH, CONTOURED, TYPE 12

APPLICATION

Featuring a quick-release latch and mounting brackets, this hinged cover junction box made out of drawn steel offers rounded corners and smooth construction. It can be used in applications where a panel for mounting of controls is desired and protection of equipment from indoor contaminants is required.

SPECIFICATIONS

- Drawn 16 gauge steel
- No welded seams or sharp corners
- Removable door with unique lift-off hinges
- Cover is removable and interchangeable
- Unique lift-off hinges
- Quick-release latches
- Oil-resistant gasket
- Weldnuts provided for mounting optional panels and terminal block kits
- External welded-on mounting brackets for easy installation
- Bonding provision on door

FINISH

ANSI 61 gray polyester powder paint inside and out

ACCESSORIES

Panels for Junction Boxes
Terminal Block Kit Assembly for Junction Boxes Overview
Steel and Stainless Steel Window Kits

MODIFICATION AND CUSTOMIZATION

Hoffman excels at modifying and customizing products to your specifications. Contact your local Hoffman sales office or distributor for complete information.

BULLETIN: A51
INDUSTRY STANDARDS

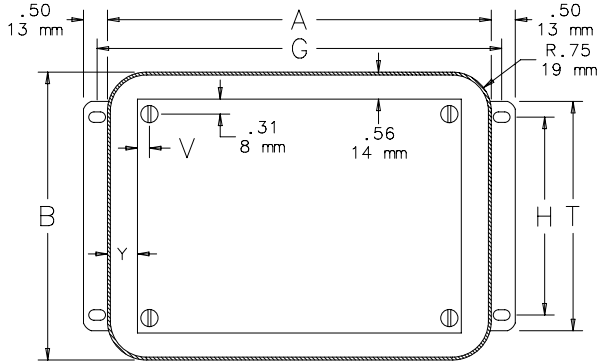
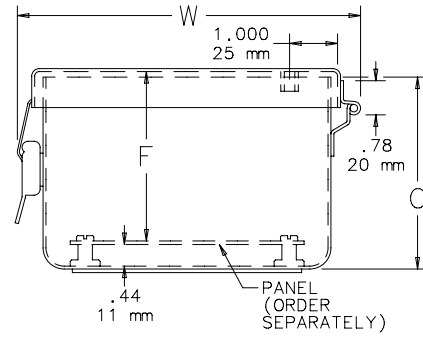
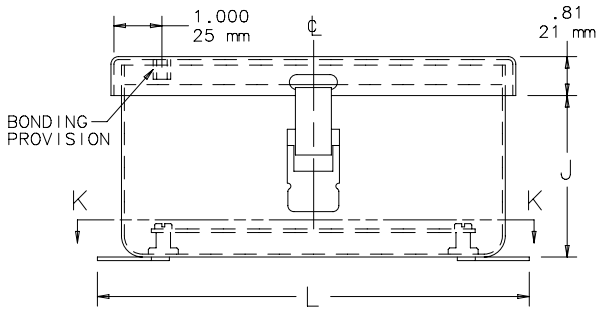
UL 508A Listed; Type 12, 13; File No. E61997
cUL Listed per CSA C22.2 No. 94; Type 12, 13; File No. E61997

NEMA/EEMAC Type 12 and 13
IEC 60529, IP65

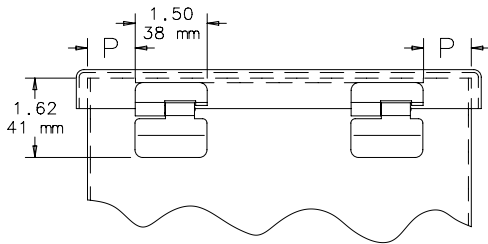
Standard Product

Catalog Number	AxBxC in./mm	Panel	Conductive Panel	Panel Size in./mm	Mounting G x H in./mm	Overall L x W in./mm	F in./mm	J in./mm	P in./mm	T in./mm	V in./mm	Y in./mm
A664DL	6.00 x 6.00 x 4.00	A6P6	A6P6G	4.88 x 4.88	6.50 x 4.12	7.00 x 7.12	3.59	3.33	1.00	4.75	0.31	0.56
	152 x 152 x 102			124 x 124	165 x 105	178 x 181	91	85	25	121	8	14
A864DL	8.00 x 6.00 x 4.00	A8P6	A8P6G	6.75 x 4.88	8.50 x 4.12	9.00 x 7.12	3.59	3.33	1.00	4.75	0.25	0.62
	203 x 152 x 102			171 x 124	216 x 105	229 x 181	91	85	25	121	6	16
A1084DL	10.00 x 8.00 x 4.00	A10P8	A10P8G	8.75 x 6.88	10.50 x 4.12	11.00 x 9.12	3.59	3.33	1.00	4.75	0.25	0.62
	254 x 203 x 102			222 x 175	267 x 105	279 x 232	91	85	25	121	6	16
A12104DL	12.00 x 10.00 x 4.00	A12P10	A12P10G	10.75 x 8.88	12.50 x 8.12	13.00 x 11.12	3.59	3.33	1.25	8.75	0.25	0.62
	305 x 254 x 102			273 x 226	318 x 206	330 x 282	91	85	32	222	6	16
A666DL	6.00 x 6.00 x 6.00	A6P6	A6P6G	4.88 x 4.88	6.50 x 4.12	7.00 x 7.12	5.59	5.33	1.00	4.75	0.31	0.56
	152 x 152 x 152			124 x 124	165 x 105	178 x 181	142	135	25	121	8	14
A866DL	8.00 x 6.00 x 6.00	A8P6	A8P6G	6.75 x 4.88	8.50 x 4.12	9.00 x 7.12	5.59	5.33	1.00	4.75	0.25	0.62
	203 x 152 x 152			171 x 124	216 x 105	229 x 181	142	135	25	121	6	16
A1086DL	10.00 x 8.00 x 6.00	A10P8	A10P8G	8.75 x 6.88	10.50 x 4.12	11.00 x 9.12	5.59	5.33	1.00	4.75	0.25	0.62
	254 x 203 x 152			222 x 175	267 x 105	279 x 232	142	135	25	121	6	16
A12106DL	12.00 x 10.00 x 6.00	A12P10	A12P10G	10.75 x 8.88	12.50 x 8.12	13.00 x 11.12	5.59	5.33	1.25	8.75	0.25	0.62
	305 x 254 x 152			273 x 226	318 x 206	330 x 282	142	135	32	222	6	16
A12108DL	12.00 x 10.00 x 8.00	A12P10	A12P10G	10.75 x 8.88	12.50 x 8.12	13.00 x 11.12	7.59	7.33	1.25	8.75	0.25	0.62
	305 x 254 x 203			273 x 226	318 x 206	330 x 282	193	186	32	222	6	16

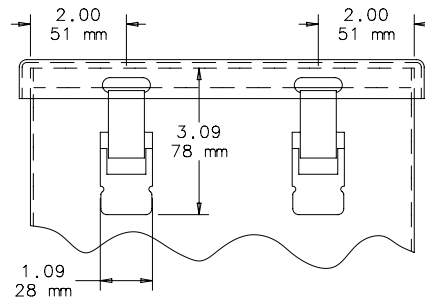
Purchase panels separately. Optional stainless steel, conductive, composite and aluminum panels are available for most sizes.



SECTION K-K



View showing hinge side of box.



87573750

View showing latch side of box when two latches are used. When A=12.00 (305mm), use two latches.