

# Class J

600 Volt Fuse Blocks

## FUSE BLOCKS & HOLDERS


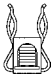



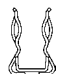








### MERSEN CLASS J FUSE BLOCKS ACCOMMODATE ALL CLASS J FUSES



FB

A choice of screw, pressure plate, box and special order stud connectors fit a wide range of stranded or solid copper or aluminum conductors. Insulators are either molded glass-filled polycarbonate (GFPC) or phenolic with verified dielectric strength in excess of 2500V. 30A, 60A and the new 100A SJ fuse blocks feature a unique adder block configuration which can be snapped onto 1-, 2-, or 3-pole blocks to form multi-pole segmented blocks of as many poles as desired. All fuse clips are made of high conductivity tin-plated copper, with a choice of spring-reinforced or non-spring reinforced clips. Space saving options are now available in the 30A and 100A configurations which are noted in the product selection tables.

#### CLIP & CONNECTOR TYPES:

30A & 60A Clips	Connectors	Connectors	Connectors	Connectors
Spring Reinforced 	Non-spring Reinforced 30A & 60A Box 	Spring Reinforced 30A & 60A Box 	Spring Reinforced 100A Box 	Spring Reinforced 400A Box Side Clip 
Non-spring Reinforced 	Non-spring Reinforced 30A Screw 	Spring Reinforced 30A Screw 	Spring Reinforced 100A Box Side Clip 	Spring Reinforced 400A Box In-line Clip 
	Non-spring Reinforced 30A Pressure Plate 	Spring Reinforced 30A Pressure Plate 	Spring Reinforced 200A Box Side Clip 	Spring Reinforced 600A Box In-line Clip 

#### RATINGS:

- **Volts:** 600VAC/DC
- **Amps:** 30A, 60A, 100A; 200A, 400A, 600A
- **SCCR:** 200kA

#### RECOMMENDED FUSE USAGE:

- Class J Blocks (600V) use with AJT, A4J, HSJ

#### APPROVALS:

- All class J fuse blocks meet the requirements of UL4248 (formerly UL512)
- UL listed Guide IZLT, File E52283
- CSA certified class 6225, File 32169



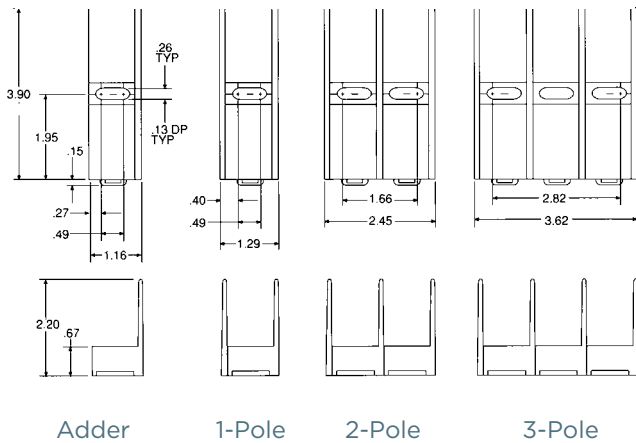
600 VOLT, 30 & 60 AMPERE CLASS J FUSE BLOCKS

Ampere Rating	Poles	Connectors		Catalog Number		Connector Torque In - lb
		Types	Wire Range	Non-Spring Reinforced	Spring Reinforced	
30 GFPC Insulator	ADDER	BOX	Al/Cu #2-14	60300J	60305SJ	35
	1			60301J	60306SJ	
	2			60302J	60307SJ	
	3			60303J	60308SJ	
	ADDER	SCREW	Cu* #4-14	60310J	60315SJ	20
	1			60311J	60316SJ	
	2			60312J	60317SJ	
	3			60313J	60318SJ	
	ADDER	PRESSURE PLATE	Cu* #4-14	60320J	60325SJ	20
	1			60321J	60326SJ	
	2			60322J	60327SJ	
	ADDER	BOX	Cu* #4-14	-	60355SJ	35
	1			-	60356SJ	
	2			-	60357SJ	
	3			-	60358SJ	
60 GFPC Insulator	ADDER	BOX	Al/Cu #2-14	60600J	60605J	45
	1			60601J	60606J	
	2			60602J	60607J	
	3			60603J	60608J	
	ADDER	BOX	Cu* #4-14	-	60655J	45
	1			-	60656J	
	2			-	60657J	
	3			-	60658J	

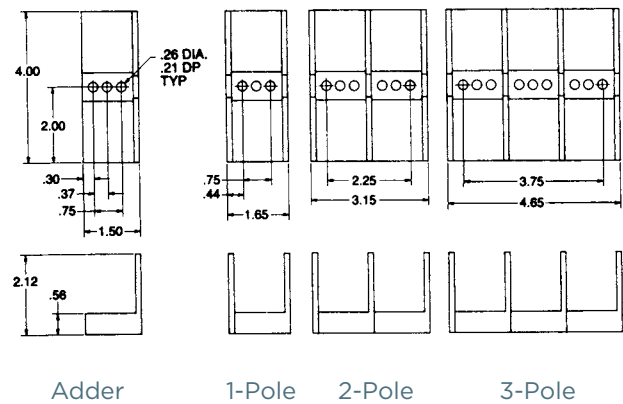
**Note:** To convert 30A "SJ" adder pole to single pole use end barrier cat # U09372. To convert 30A or 60A standard J adder pole to single use pole use end barrier cat # U09617. Recommended mounting screws for all 30A and 60A fuse blocks: 1/4" (0.250" dia).

\*Fuses have copper box connectors and clips and are for copper wires only. These are specifically designed with the same coefficient of expansion as copper wire for improved heat cycling and meet or exceed OEM "no aluminum" specifications.

DIMENSIONS FOR 30A SPACE SAVING "SJ" STYLE FUSE BLOCKS



DIMENSIONS FOR 30A AND 60A STANDARD CLASS J STYLE FUSE BLOCKS

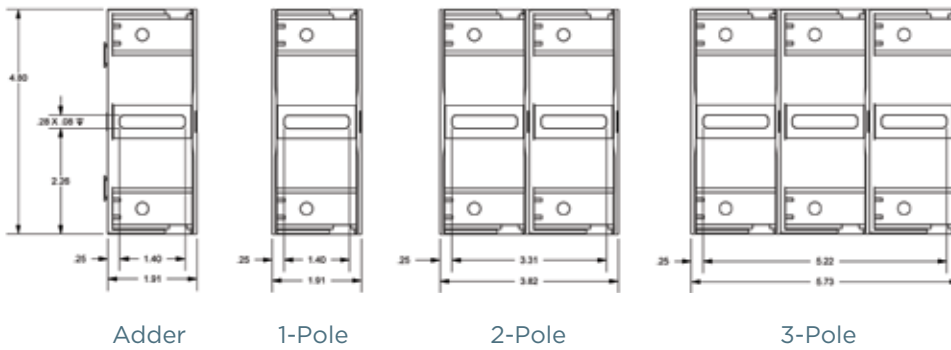


FB

600 VOLT, 100 AMPERE CLASS J FUSE BLOCKS

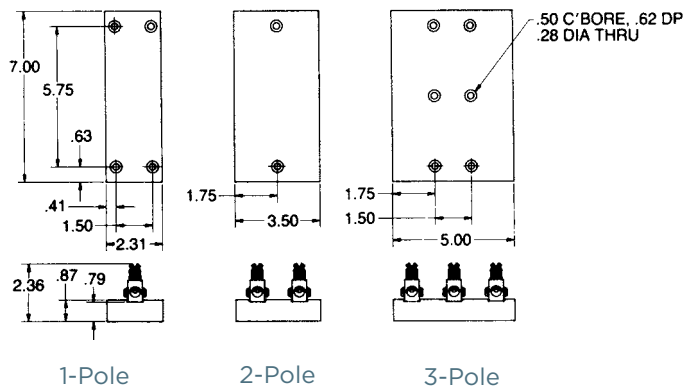
Ampere Rating	Poles	Connectors		Catalog Number	Connector Torque In - lb
		Type	Wire Range	Spring Reinforced	
100 GFCP Insulator	Adder 1 2 3	Box Side Clip	Al/Cu 2/0-#6	61005SJ	100 (Al) 60 (Cu)
				61006SJ	
				61007SJ 61008SJ	
	1 2 3	Box	Al/Cu 2/0-#6	61036J	120
				61037J	
				61038J	
	1 2 3	Box	Cu* 2/0-#12	61006J	50
				61007J	
				61008J	

DIMENSIONS FOR 100A SPACE SAVING "SJ" STYLE FUSE BLOCKS



FB

DIMENSIONS FOR 100A STANDARD CLASS J STYLE FUSE BLOCKS



600 VOLT, 200, 400 & 600 AMPERE CLASS J FUSE BLOCKS

Ampere Rating	Poles	Connector		Catalog No.	Fig.	Connector Torque In - lb
		Type	Wire Range			
200 Phenolic Insulator	1	Box	Al/Cu	62001J	1	375
	3	Side-Clip	350kcmil-#6	62003J	2	
	1	Box	Cu**	62051J	1	275
	3	Side-Clip	350kcmil-#6	62053J	2	
400 Phenolic Insulator	1	Box*	AL/Cu	64001J	3	375
	3	Side-Clip	1000-250kcmil	64003J	4	
	1	Box	AL/Cu	64031J	5	275
	3	In-Line Clip	{2} 350kcmil-#4	64033J	6	
	1	Box*	Cu**	64051J	3	375
	3	Side-Clip	1000-250kcmil	64053J	4	
	1	Box	Cu**	64061J	5	275
	3	In-Line Clip	{2} 350kcmil-#6	64063J	6	
600 Phenolic Insulator	1	Box	Al/Cu	6631J	7	500
	3	In-Line Clip	{2} 500kcmil-#4	6633J	8	
	1	Box	Cu**	6661J	7	375
	3	In-Line Clip	{2} 500kcmil-#4	6663J	8	

\* Not UL Listed or CSA Certified

\*\* Fuse blocks have copper box connectors and clips and are for copper wires only. These are specifically designed with the same coefficient of expansion as copper wire for improved heat cycling and meet or exceed OEM "no aluminum" specifications.

Recommended mounting screws:  
All 200A, 400A & 600A - 5/16" (.313" dia.)

DIMENSIONS

